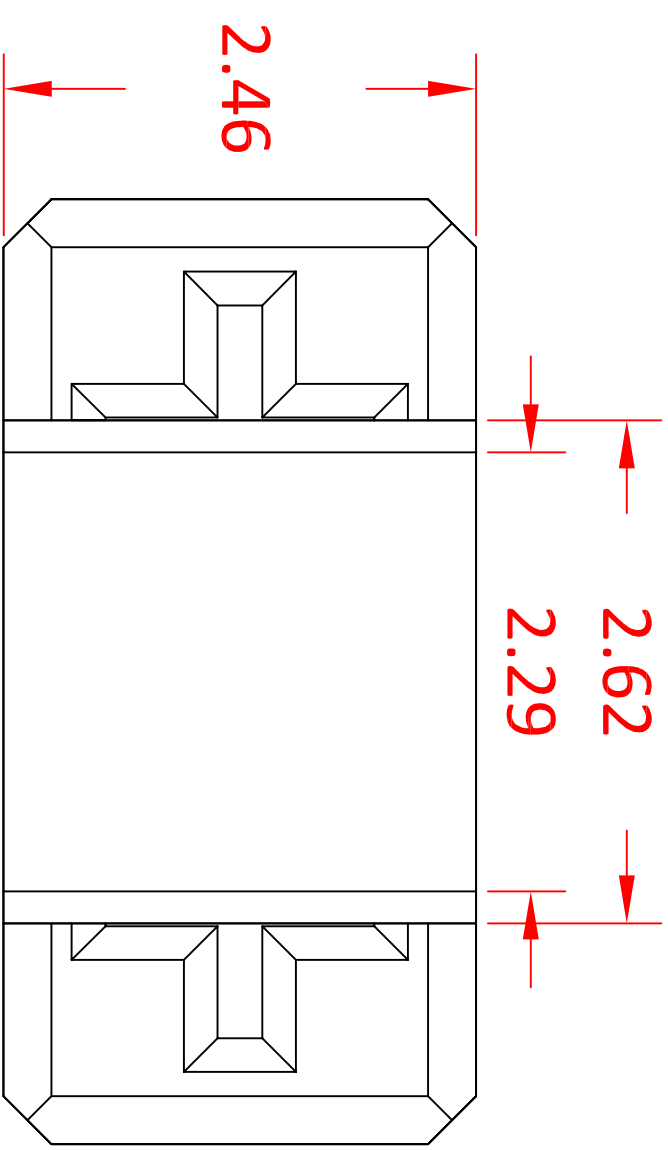
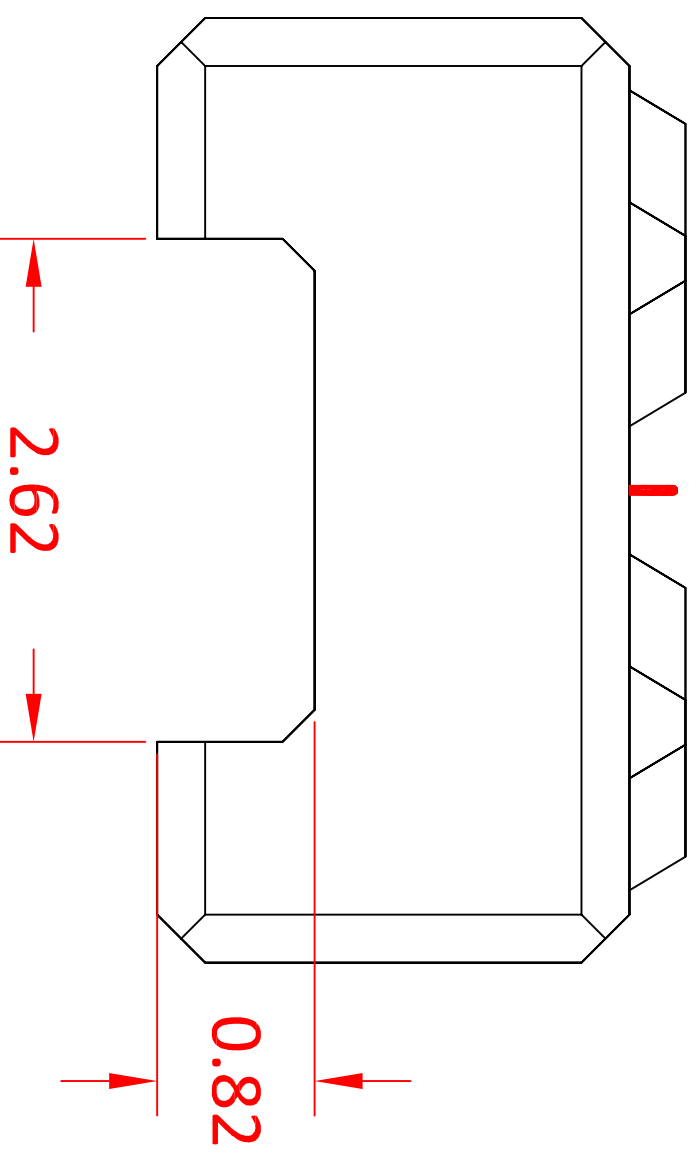


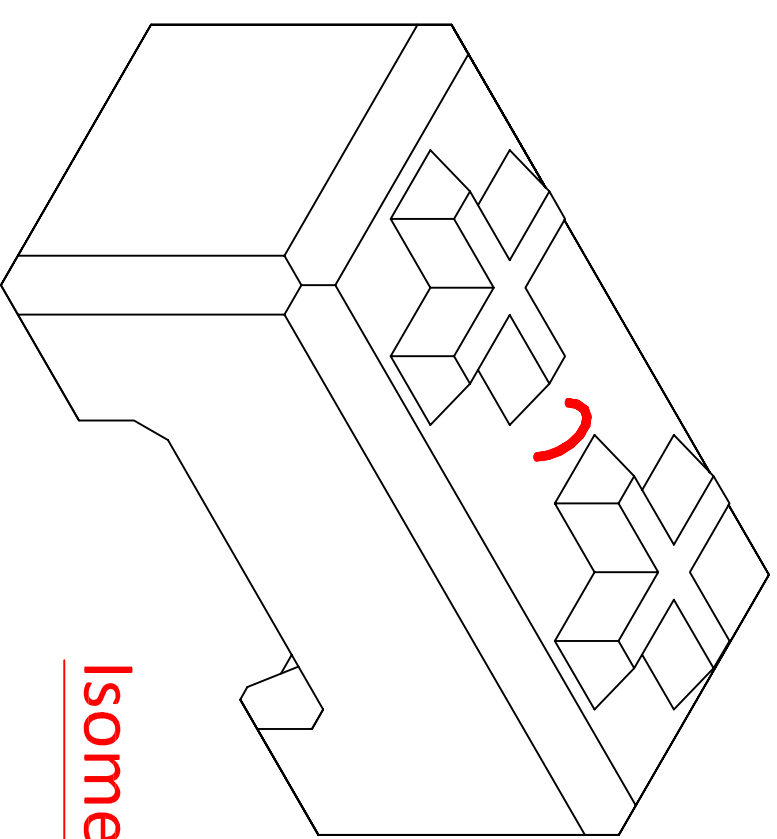
Top View



Bottom View

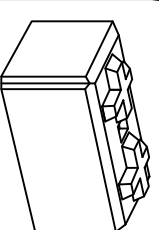


Front View



Isometric View

Dimensions are approximate and may vary slightly from mold



ULTRABLOCK, INC.

815 N.E. 172nd Ave.
VANCOUVER, WA 98684
800-377-3877 PH
360-694-0281 FAX

TITLE: Standard Gutter Block

DRAWN BY: MLN

DATE: 12/20/2011
SCALE: NTS

SHEET #: UB-01