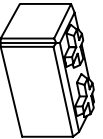
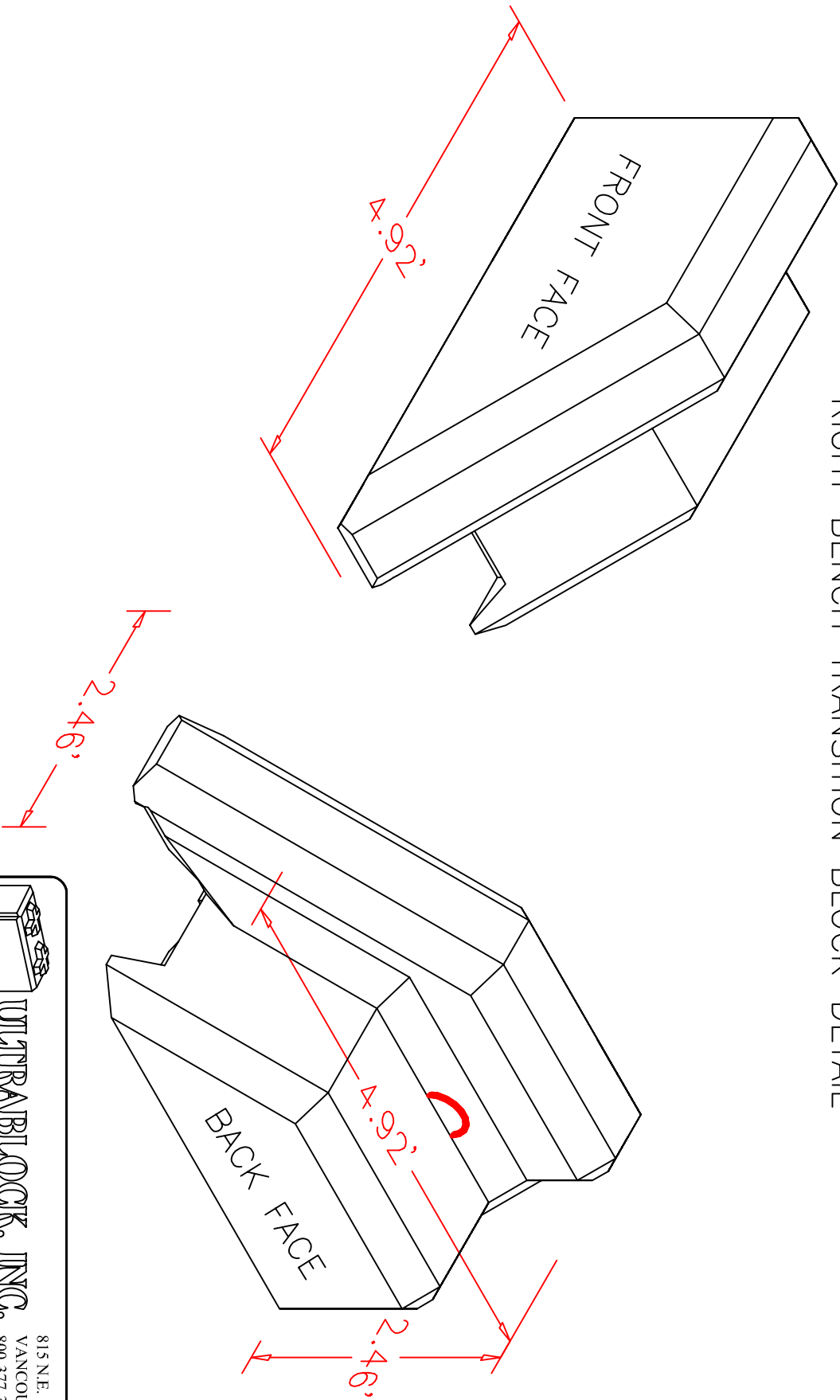


RIGHT BENCH TRANSITION BLOCK DETAIL



ULTRABLOCK, INC.

815 N.E. 172nd Ave.
VANCOUVER, WA 98684
800-377-3877 PH
360-694-0281 FAX

TITLE: RIGHT BENCH TRANS. BLOCK DETAIL

DRAWN BY: AMD

DATE: 12/10/09
SCALE: NTS

SHEET #: B22