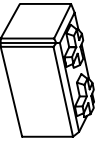
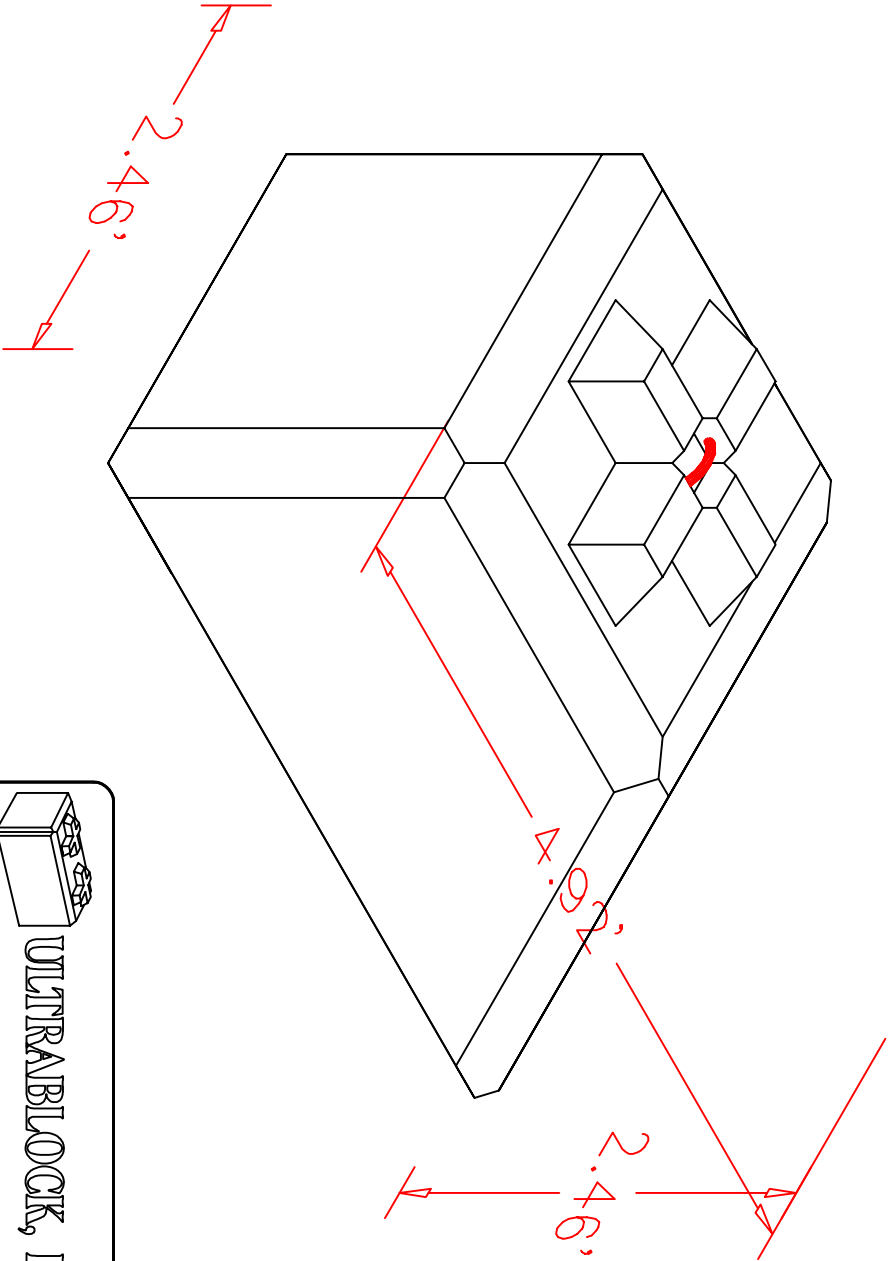


RIGHT TRANSITION BLOCK DETAIL



**ULTRABLOCK, INC.**

815 N.E. 172nd Ave.  
VANCOUVER, WA 98684  
800-377-3877 PH  
360-694-0281 FAX

TITLE: RIGHT TRANSITION BLOCK DETAIL

DRAWN BY: AMD

DATE: 12/10/09  
SCALE: NTS

SHEET #: B20